

# Stability Data for Six Probes

Wind Probe LLC collected data on six sensors and one TSI 8455-6 NBS traceable sensor, the REF, for 35 days in a precision wind tunnel. Some of these sensors were on 12 hours per day while others 10 minutes. At the end of the 35 days the plot below shows each sensor's performance relative to the Reference TSI instrument. The TSI sensor has the rapid response time while Wind Probe's shows the running average values. The wind tunnel automatically changes speed by 50 ft./min. approximately every 18 seconds.

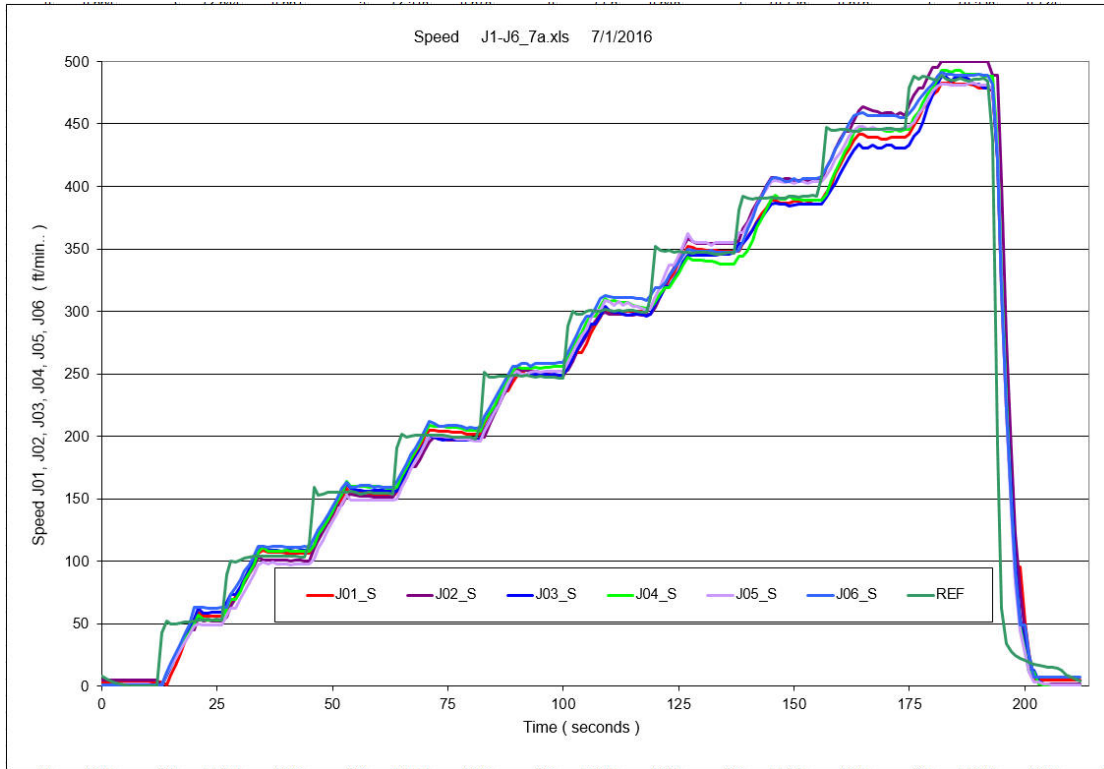


Figure 1

The actual wind tunnel is shown in figure 2 and the essential components comprising the wind tunnel are depicted in figure 3. All the probes were cycled to 400 °F three to four times during these tests. The REF sensor TSI 8455-6 air flow sensor is used as a reference for all Omega Engineering's calibration work.



Figure 2

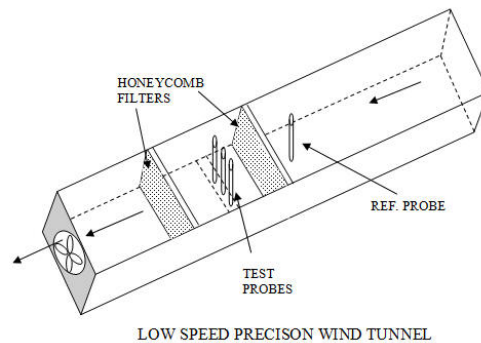


Figure 3

For more information you can email: [harveyh@wind-probe.com](mailto:harveyh@wind-probe.com) or go to [wind-probe.com](http://wind-probe.com).