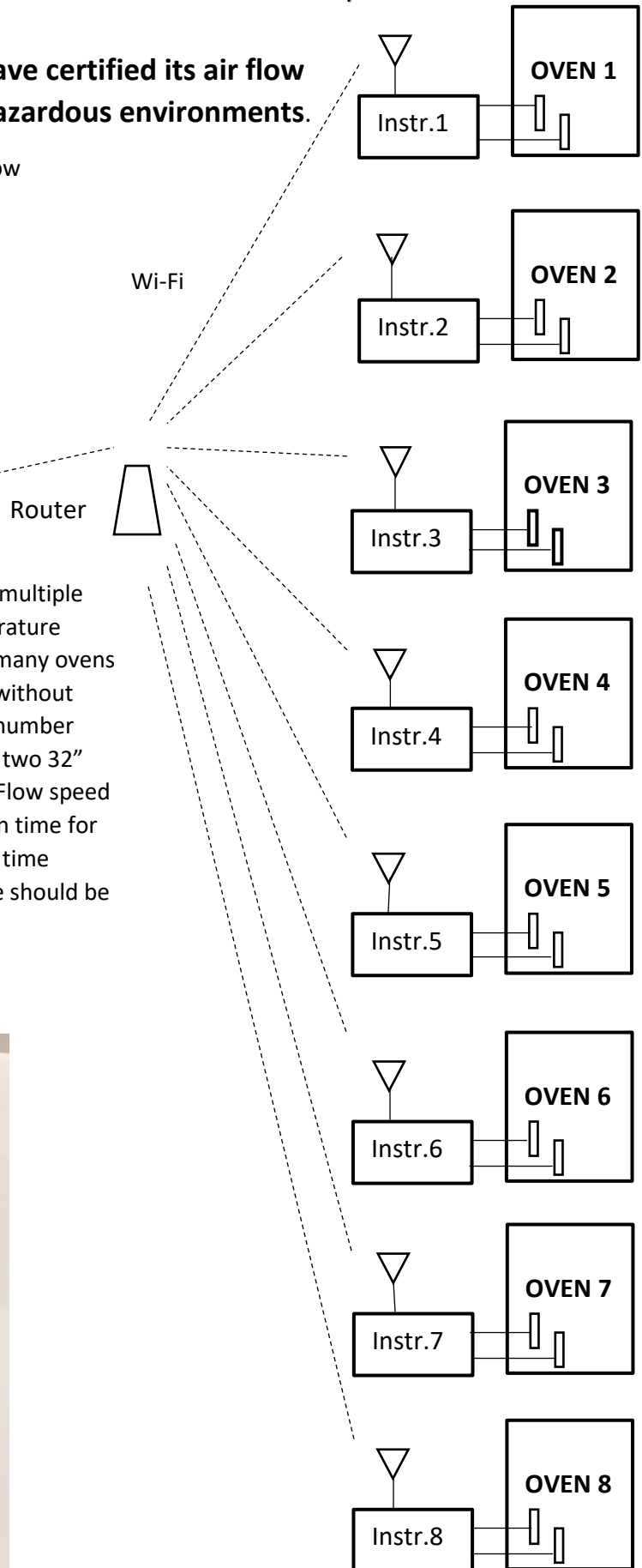
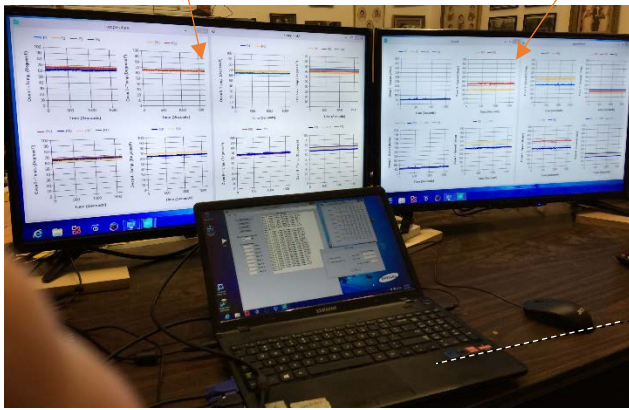


# New 8 Ovens Monitoring System for Air Flow and Temperature

**Wind Probe LLC is the first company to have certified its air flow and temperature instrument for use in hazardous environments.**

8 Oven Plots of Temperature    8 Oven Plots of Air Flow



Wind Probe LLC has introduced a completely wireless multiple Oven monitoring system for their Air Flow and Temperature model 200 Wi-Fi instrument. Now customers owning many ovens can monitor temperature and air flow in many ovens without wiring to each instrument. Customers can decide the number and size of their monitors. The first system shown has two 32" diagonal monitors to display the temperature and air Flow speed as seen above. The plots represent actual data taken in time for each probe in each oven. The software permits in real time selecting any probe and selecting how thick each trace should be for best interrogation of the waveforms.

Two probe model 200 Wi-Fi instrument

